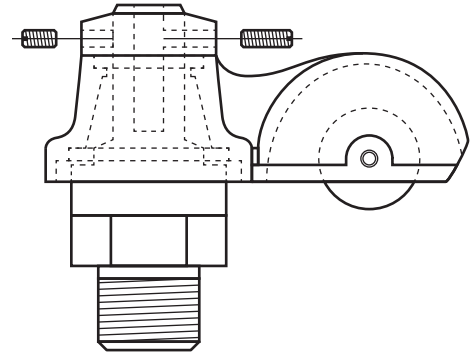
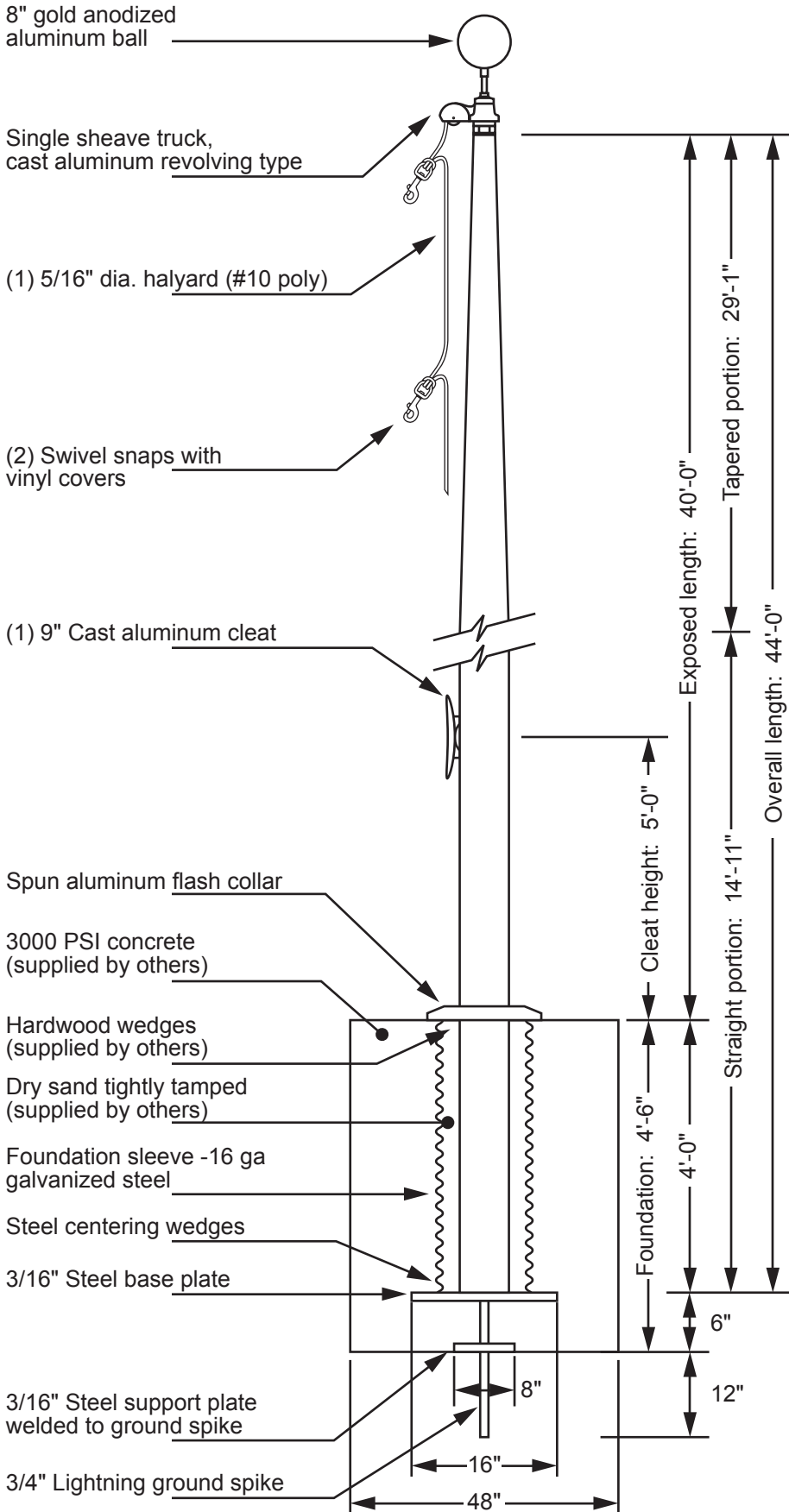


Model ECA40 - External Single Halyard

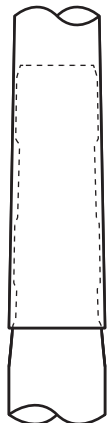


Single Sheave Truck Detail
 Revolving truck
 Cast aluminum body
 Stainless steel ball bearings
 Nylon sheave
 Cast aluminum spindle

All shafts with overall length of more than 38'-6" are shipped in multiple sections.

Each section is matched and marked for field assembly. Exposed portion of jam sleeve must be **well lubricated** prior to assembly.

1-1/2" maximum gap allowed for field fitting.



THE FLAG LOFT
 1900 DELMAR BLVD
 ST LOUIS MO 63103
 800 995 3524

110 MPH
 FLAGGED

Exposed Height __ 40'-0"
 Overall Height __ 44'-0"
 Butt Diameter __ 8"
 Top Diameter __ 3-1/2"
 Wall Thickness __ .156"
 Ships in 2 sections

Ground Set Tapered
 Aluminum Flagpole
 ALLOY 6063T6
 80 grit polish

**EDER POLE
 MANUFACTURER**
 1