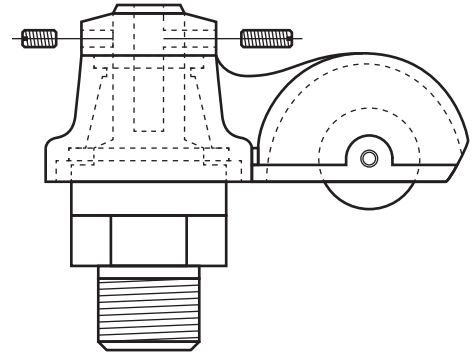
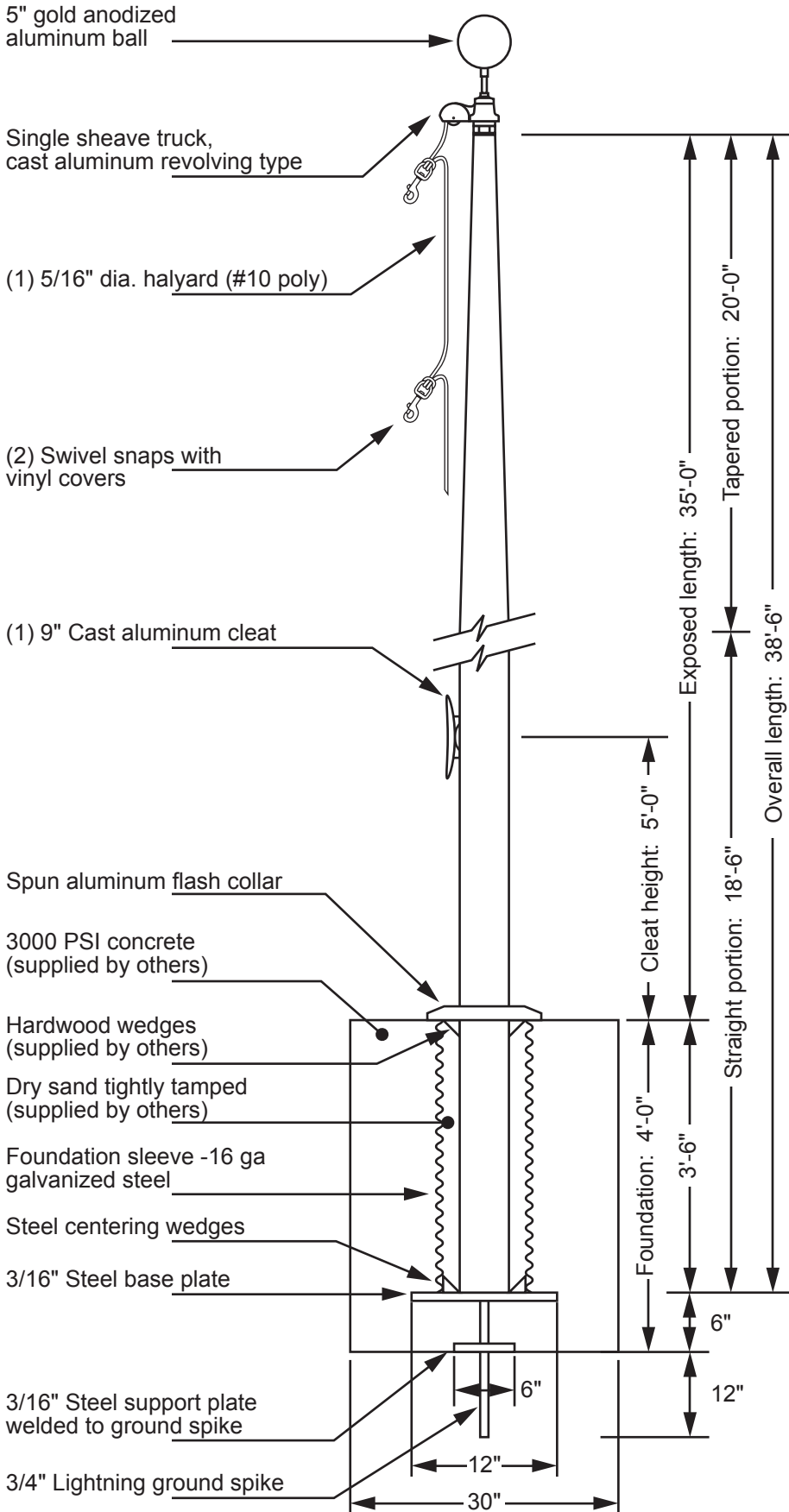


Model ECSA35 - External Single Halyard



Single Sheave Truck Detail
 Revolving truck
 Cast aluminum body
 Stainless steel ball bearings
 Nylon sheave
 Cast aluminum spindle

Spun aluminum flash collar

3000 PSI concrete
 (supplied by others)

Hardwood wedges
 (supplied by others)

Dry sand tightly tamped
 (supplied by others)

Foundation sleeve -16 ga
 galvanized steel

Steel centering wedges

3/16" Steel base plate

3/16" Steel support plate
 welded to ground spike

3/4" Lightning ground spike

Exposed length: 35'-0"
 Tapered portion: 20'-0"
 Overall length: 38'-6"
 Cleat height: 5'-0"
 Straight portion: 18'-6"
 Foundation: 4'-0"
 3'-6"
 6"
 12"

 **THE FLAG LOFT**
 1900 DELMAR BLVD
 ST LOUIS MO 63103
 800 995 3524

85MPH
 FLAGGED

Exposed Height __ 35'-0"
 Overall Height __ 38'-6"
 Butt Diameter __ 5"
 Top Diameter __ 3"
 Wall Thickness __ .188"
 Ships in 1 section

Ground Set Tapered
 Aluminum Flagpole
 ALLOY 6063T6
 80 grit polish

**EDER POLE
 MANUFACTURER**