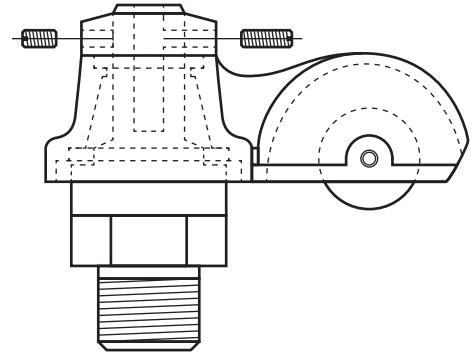
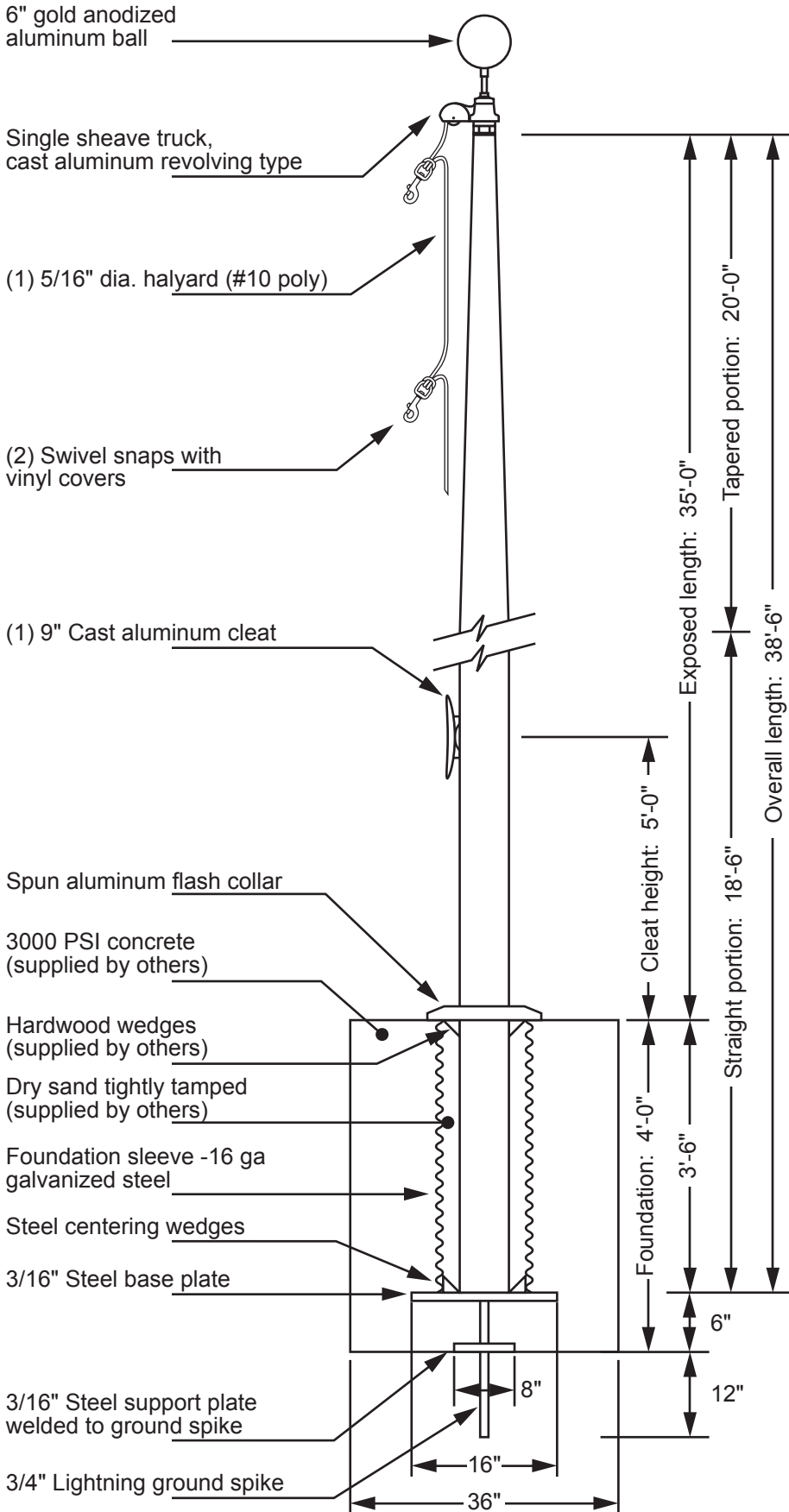
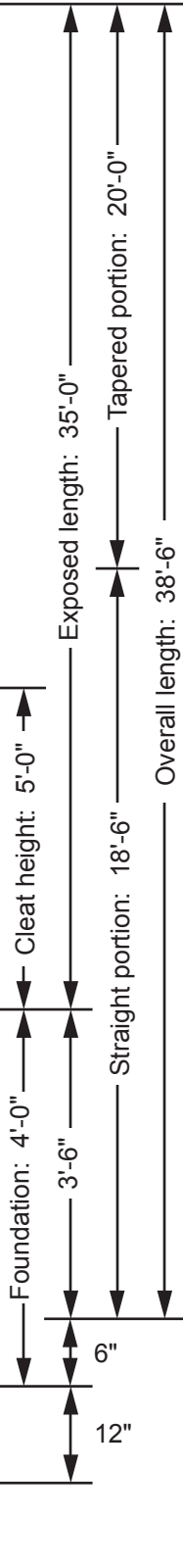


Model ECX35 - External Single Halyard



Single Sheave Truck Detail
 Revolving truck
 Cast aluminum body
 Stainless steel ball bearings
 Nylon sheave
 Cast aluminum spindle

- 6" gold anodized aluminum ball
- Single sheave truck, cast aluminum revolving type
- (1) 5/16" dia. halyard (#10 poly)
- (2) Swivel snaps with vinyl covers
- (1) 9" Cast aluminum cleat
- Spun aluminum flash collar
- 3000 PSI concrete (supplied by others)
- Hardwood wedges (supplied by others)
- Dry sand tightly tamped (supplied by others)
- Foundation sleeve -16 ga galvanized steel
- Steel centering wedges
- 3/16" Steel base plate
- 3/16" Steel support plate welded to ground spike
- 3/4" Lightning ground spike



THE FLAG LOFT
1900 DELMAR
BLVD
ST LOUIS MO 63103
800 995 3524

91MPH
 FLAGGED

Exposed Height __ 35'-0"
 Overall Height __ 38'-6"
 Butt Diameter __ 6"
 Top Diameter __ 3-1/2"
 Wall Thickness __ .156"
 Ships in 1 section

Ground Set Tapered
 Aluminum Flagpole
 ALLOY 6063T6
 80 grit polish

EDER POLE
MANUFACTURER