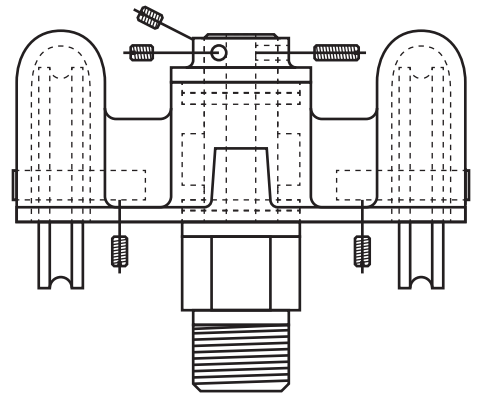
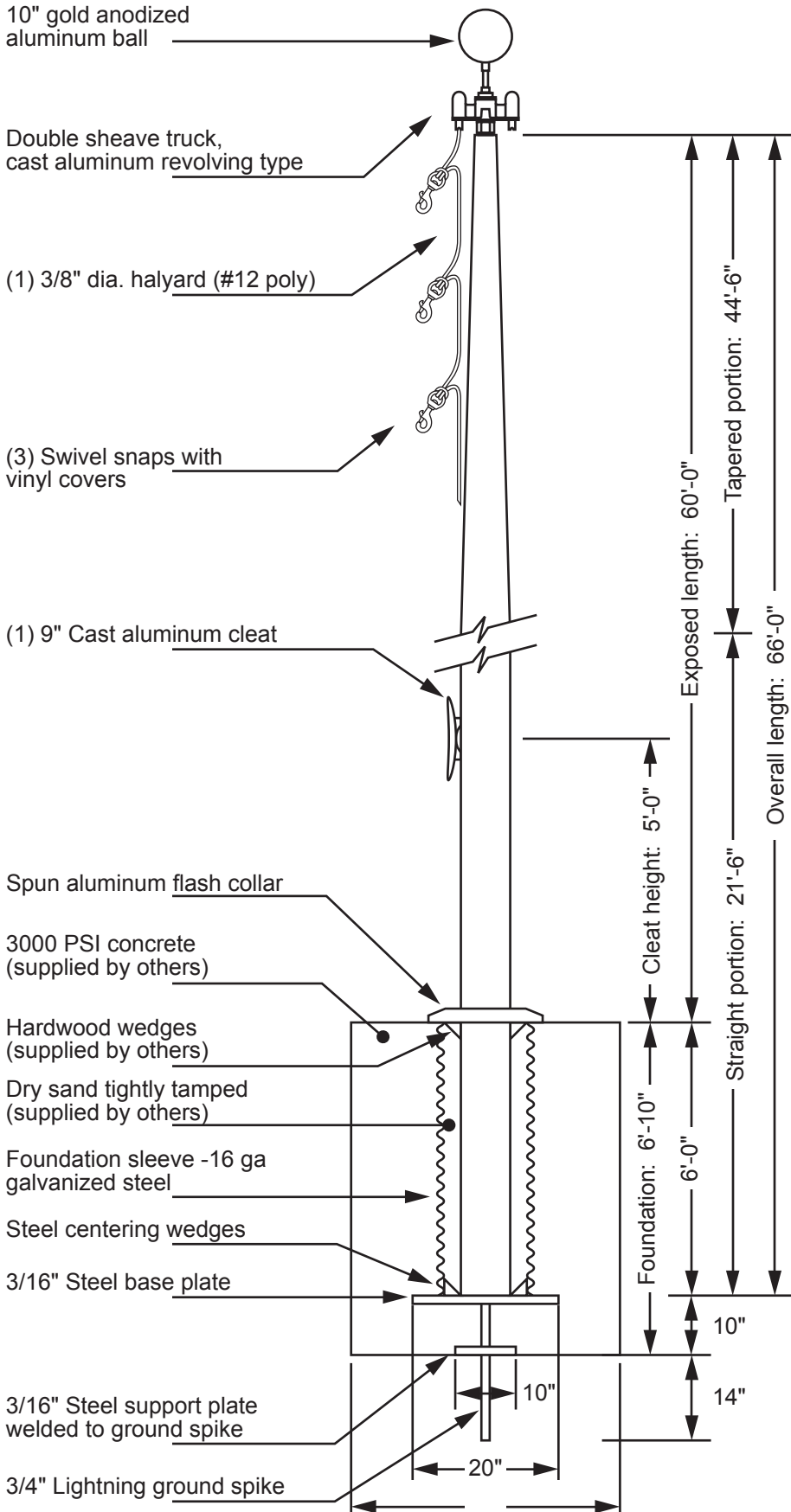


# Model ECXA60 - External Single Halyard

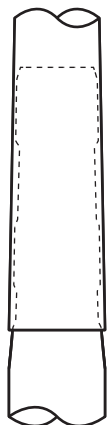


**Double Sheave Truck Detail**  
 Revolving truck  
 Cast aluminum body  
 Stainless steel ball bearings  
 Cast aluminum sheaves  
 Cast aluminum spindle

All shafts with overall length of more than 38'-6" are shipped in multiple sections.

Each section is matched and marked for field assembly. Exposed portion of jam sleeve must be **well lubricated** prior to assembly.

1-1/2" maximum gap allowed for field fitting.



**THE FLAG LOFT**  
 1900 DELMAR BLVD  
 ST LOUIS MO 63103  
 800-995-3524

106Mph  
 FLAGGED

Exposed Height \_\_\_ 60'-0"  
 Overall Height \_\_\_ 66'-0"  
 Butt Diameter \_\_\_ 10"  
 Top Diameter \_\_\_ 4"  
 Wall Thickness \_\_\_ .250"  
 Ships in 3 sections

Ground Set Tapered  
 Aluminum Flagpole  
 ALLOY 6063T6  
 80 grit polish

**EDER POLE  
 MANUFACTURER**