

# Model ECXA25 IH - Deluxe Internal Halyard

Single sheave truck, cast aluminum revolving, internal halyard truck

1/8" x 7 x 19 Mil-C-5424  
Stainless steel aircraft cable

Standard flag arrangement: 4' x 6'

Neoprene coated 2" diameter  
steel counterweight

Nylon beaded retainer ring

Gearless, self locking direct drive  
winch with six tumbler cylinder lock

Spun aluminum flash collar

3000 PSI concrete  
(supplied by others)

Hardwood wedges  
(supplied by others)

Dry sand tightly tamped  
(supplied by others)

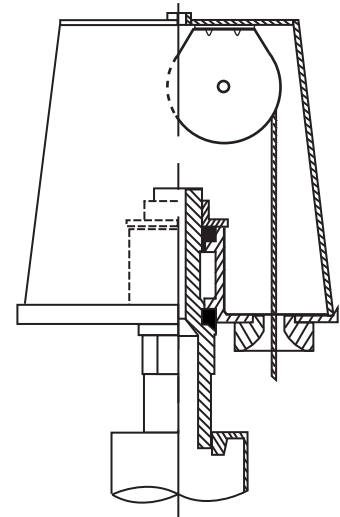
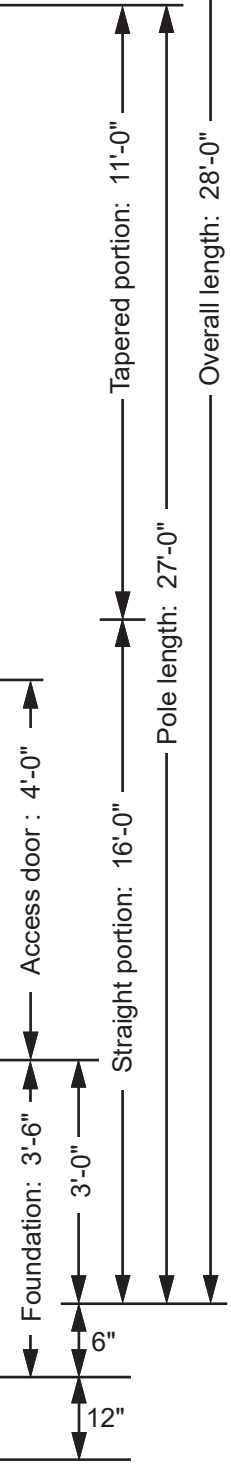
Foundation sleeve -  
16 ga galvanized steel

Steel centering wedges

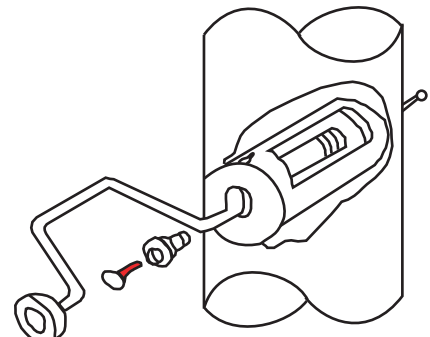
3/16" Steel base plate

3/16" Steel support plate  
welded to grounding spike

3/4" Lightning ground spike



Revolving internal halyard truck, cast aluminum body, enclosed stainless steel ball bearings, raceway and 2-1/2" diameter plated steel sheave.



Winch Detail



**THE FLAG LOFT**  
1900 DELMAR BLVD  
ST LOUIS MO 63103  
800-995-3524

117 mph  
FLAGGED

Exposed Height \_\_\_ 25'-0"  
Overall Height \_\_\_ 28'-0"  
Butt Diameter \_\_\_ 5"  
Top Diameter \_\_\_ 3"  
Wall Thickness \_\_\_ .156"  
Ships in 1 section

Ground set tapered  
aluminum flagpole  
ALLOY 6063T6  
80 grit polish

**EDER POLE  
MANUFACTURER**