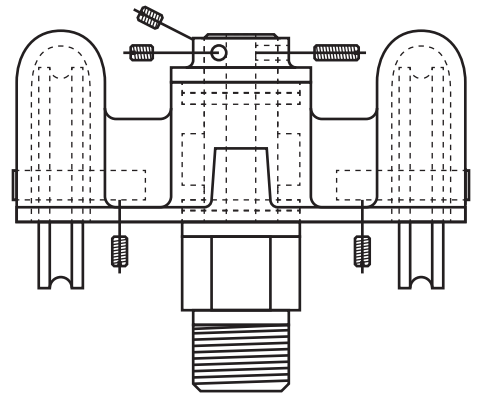
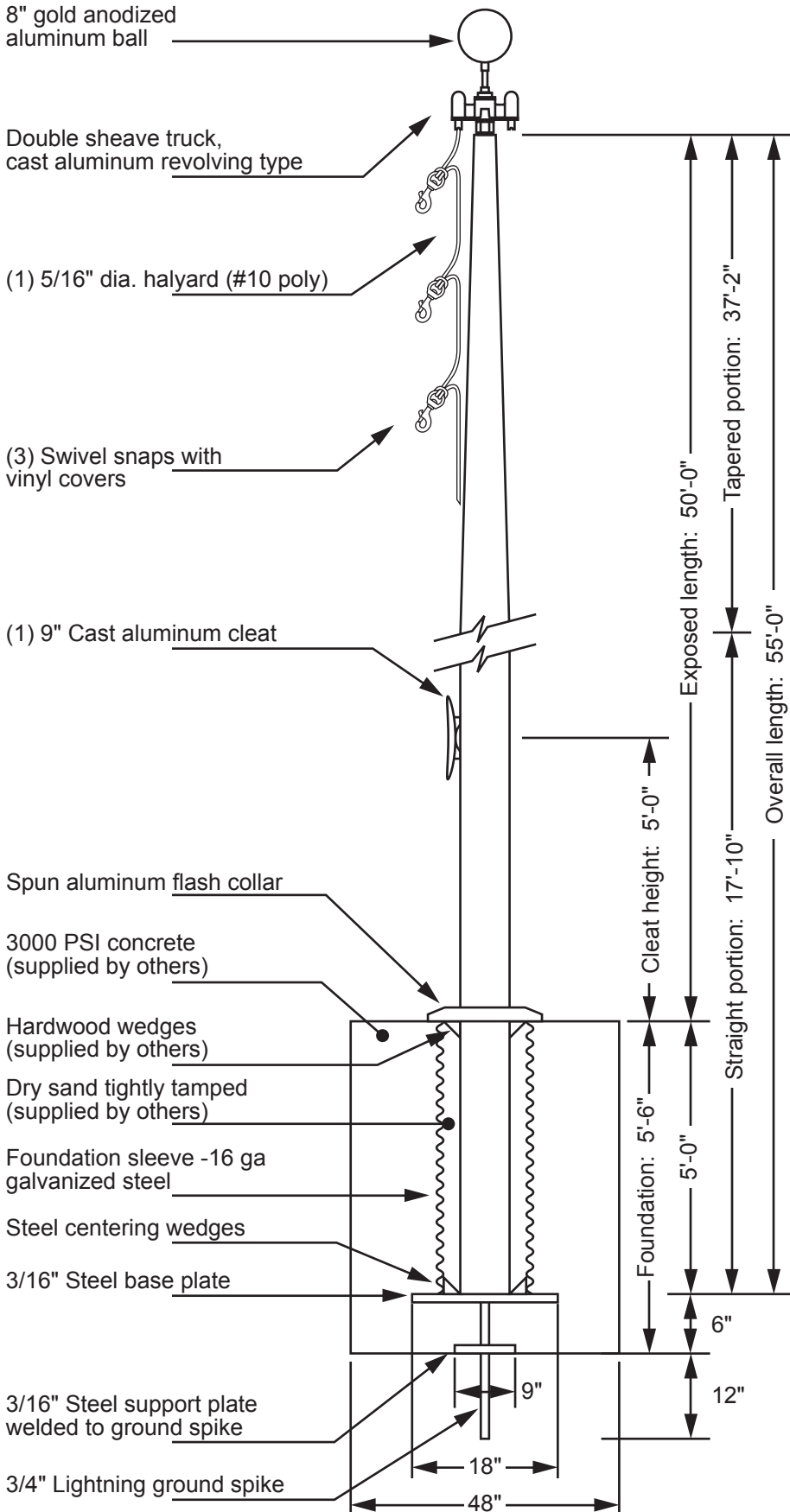


# Model ECX50 - External Single Halyard

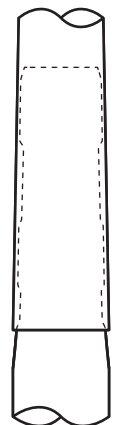


**Double Sheave Truck Detail**  
 Revolving truck  
 Cast aluminum body  
 Stainless steel ball bearings  
 Cast aluminum sheaves  
 Cast aluminum spindle

All shafts with overall length of more than 38'-6" are shipped in multiple sections.

Each section is matched and marked for field assembly. Exposed portion of jam sleeve must be **well lubricated** prior to assembly.

1-1/2" maximum gap allowed for field fitting.



**THE FLAG LOFT**  
**1900 DELMAR BLVD**  
**ST LOUIS MO 63103**  
**800-995-3524**

85mph  
 Flagged

Exposed Height \_\_ 50'-0"  
 Overall Height \_\_ 55'-0"  
 Butt Diameter \_\_ 8"  
 Top Diameter \_\_ 3-1/2"  
 Wall Thickness \_\_ .188"  
 Ships in 3 sections

Ground Set Tapered  
 Aluminum Flagpole  
 ALLOY 6063T6  
 80 grit polish

**EDER POLE  
 MANUFACTURER**