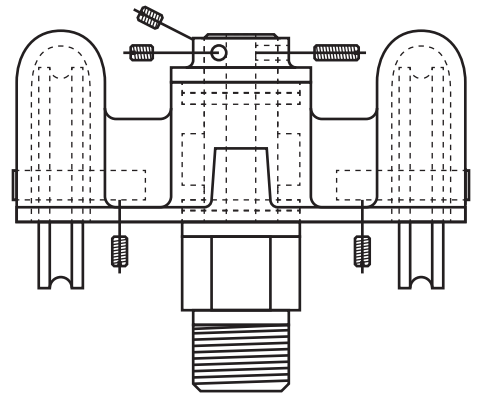
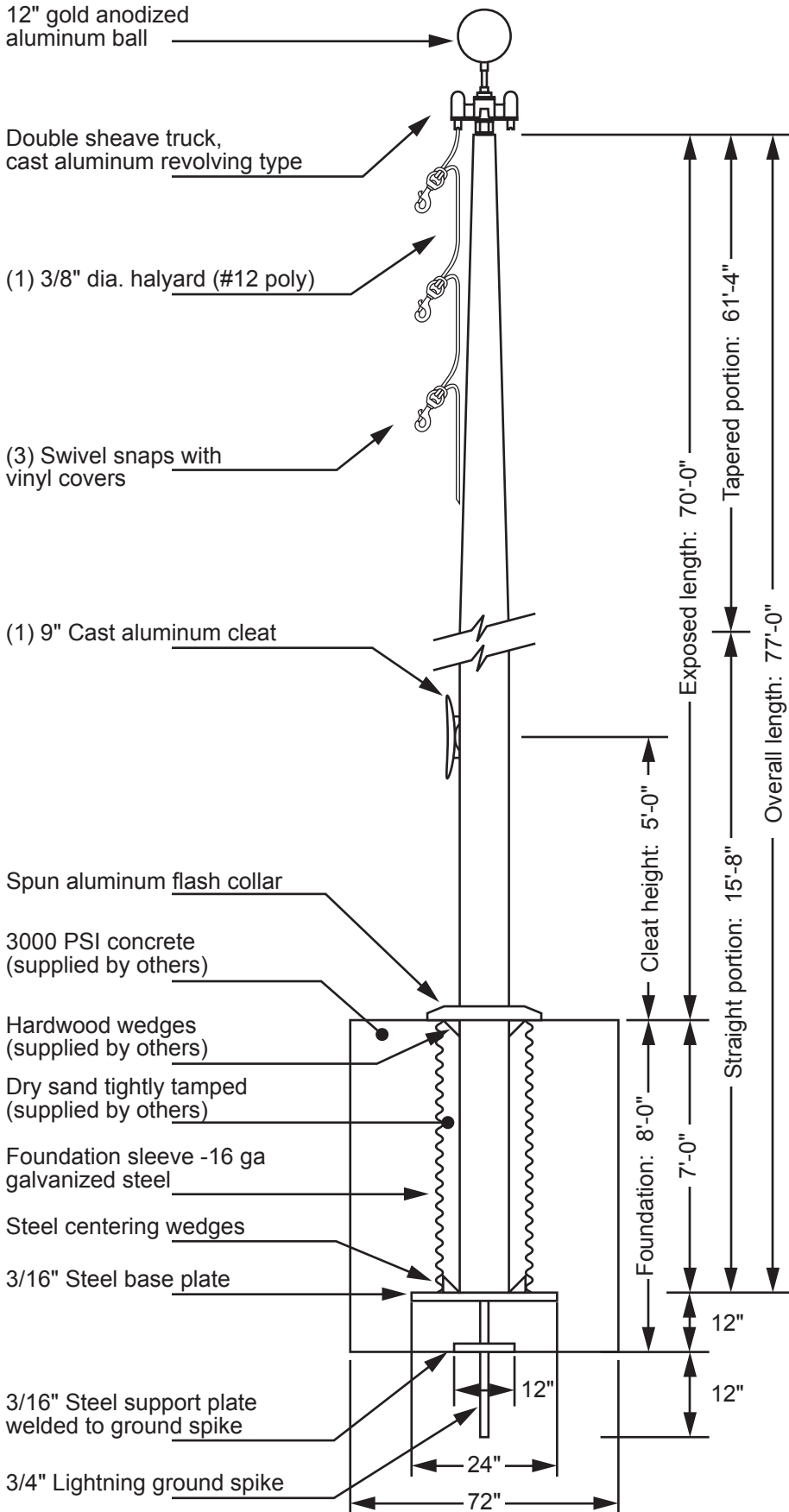


Model EC70 - External Single Halyard

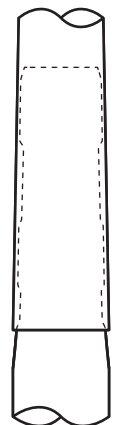



Double Sheave Truck Detail
 Revolving truck
 Cast aluminum body
 Stainless steel ball bearings
 Cast aluminum sheaves
 Cast aluminum spindle

All shafts with overall length of more than 38'-6" are shipped in multiple sections.

Each section is matched and marked for field assembly. Exposed portion of jam sleeve must be **well lubricated** prior to assembly.

1-1/2" maximum gap allowed for field fitting.

THE FLAG LOFT
 1900 DELMAR BLVD
 ST LOUIS MO 63103
 800-995-3524

Exposed Height	70'-0"
Overall Height	77'-0"
Butt Diameter	12"
Top Diameter	4"
Wall Thickness	.250"
Ships in 3 sections	

Ground Set Tapered Aluminum Flagpole ALLOY 6063T6 80 grit polish
--

EDER FLAG MANUFACTURER